

Part number

CSHF 16



Brief description:

female insert, 16 poles + PE, SQUICH® spring connection, 16A, 500V, 6kV, 3, silver plated, size "77.27", CLASS insert series

Product description		Approvals / Standards	
Model	female insert	Reference standard	EN 61984 (2001-11)
Version	SQUICH® Spring connection contacts	Quality mark	EAC
Series	CSH	Conformity	CQC, CE
Product type	with female contacts	General ordering information	
Family	CLASS inserts	EAN13 code	8015747019255
Size	size "77.27"	Tariff number	85369095
N. of poles	16 poles +	Country of origin	Made in EU (IT)
Technical data		ETIM classification	EC000438
Current	16 A (A.C. and D.C.)	Packaging information	
Voltage	500 V	Packaging length	245,00 mm
Rated impulse withstand voltage	6kV	Packaging height	165,00 mm
Pollution degree	3	Packaging width	215,00 mm
Wire cross-section	0,14 mm ² - 2,50 mm ²	Packaging weight	3,25 kg
AWG size	26 - 14	Packaging volume	8,69 dm ³
Operating temperature range (min, max)	-40°C ... +125°C	Packaging description	Carton box
Contact type	silver plated	Packaging quantity	30 Pcs
Mating cycles	≥ 500	Packaging EAN code	8015747170680
IP degree of protection	IP20 without enclosure; IP65/IP66/IP67/IP68 with enclosure	Sub-packaging length	197,00 mm
Further technical details		Sub-packaging height	44,00 mm
Characteristics according to EN 61984	16A 500V 6kV 3; 16A 400/690V 6kV 2	Sub-packaging width	113,00 mm
Insulation resistance	≥ 10 GΩ	Sub-packaging weight	0,54 kg
Rated voltage according to UL/CSA	600V	Sub-packaging volume	0,98 dm ³
UL 94 flammability rating	V-0	Sub-packaging description	Carton
Weight	108,00 g	Sub-packaging quantity	5 Pcs
		Sub-packaging EAN barcode	8015747170697

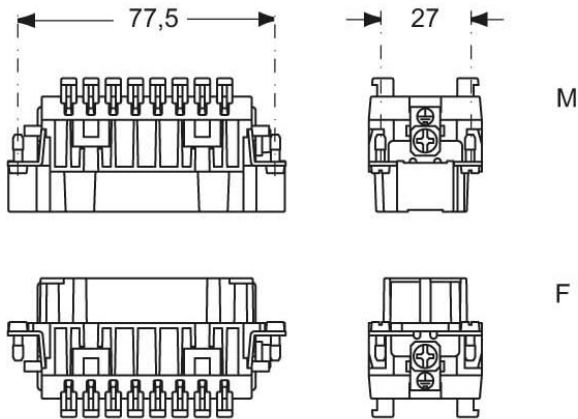
Part number CSHF 16



Catalogue drawings

Catalogue drawings

dimensions in mm



contacts side (front view)

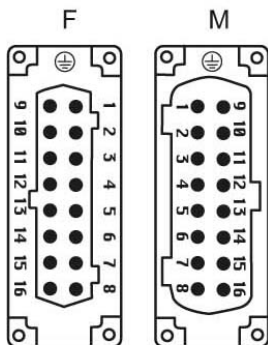
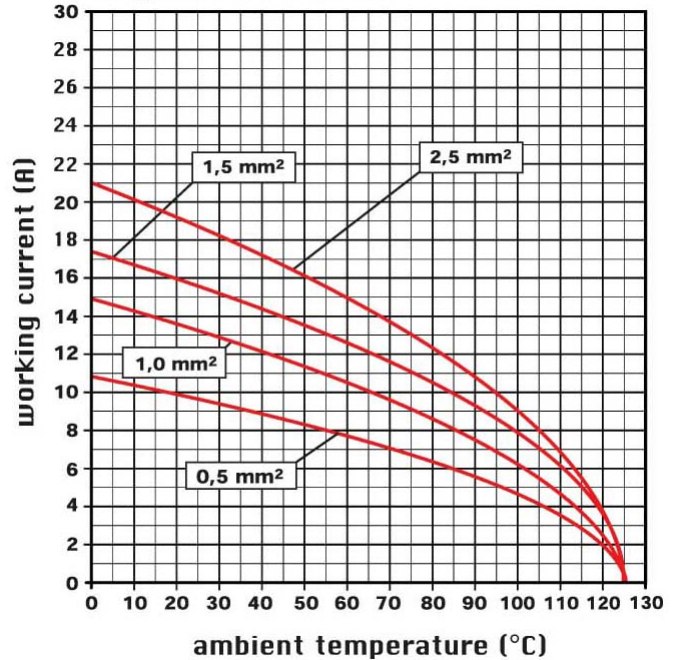


diagram CSH 16 poles



Notes

CSHF/M 16

- characteristics according to EN 61984:

16A 500V 6kV 3

16A 400/690V 6kV 2

- rated voltage according to UL/CSA: 600V

- insulation resistance: > 10 GOhm

- ambient temperature limit: -40 °C ... +125 °C

- are made of self-extinguishing thermoplastic resin UL 94 V0

- mechanical life: > 500 cycles

- contact resistance: < 3 mOhm

- enclosures: size "77.27":

C-TYPE IP65/IP66

C7 IP67 stainless steel lever

V-TYPE IP65/IP66

stainless steel lever

T-TYPE IP65 insulating

JEI zinc-plated steel lever

BIG hoods

W-TYPE aggressive environments

EMC

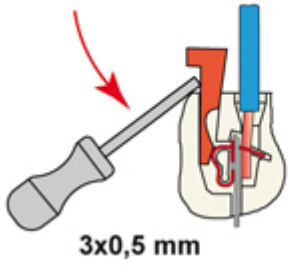
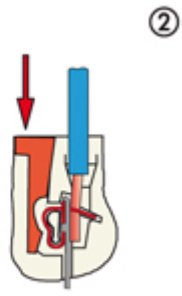
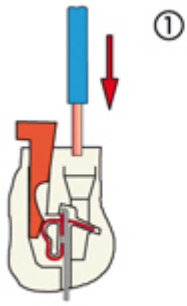
central lever

IP68

- panel supports:

COB

actuator button connections



3x0,5 mm

Reopening
